



# NanoZoomer-SQ

Oncotopix® Scan covers the full range of whole slide scanners from Hamamatsu, the technology leaders in digital pathology with their proven, fast, and highly reliable scanning solutions.

The Oncotopix® Scan family consists of whole slide scanners that meet the needs of any laboratory, from small to large. The scanner enables fast scanning of high resolution digital images of entire slides for reading, annotation, storage, retrieval, analysis and image sharing via a network to aid consultation and record keeping.

## **NanoZoomer-SQ**

The NanoZoomer-SQ is a single slide scanner for creating whole slide images of tissue slides. Its very compact size makes it suitable for even the smallest labs.

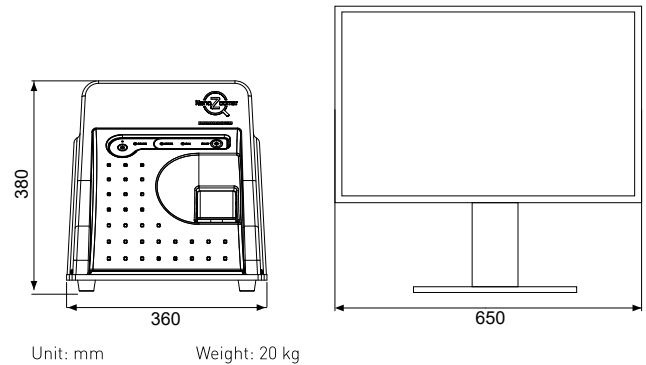


## **NanoZoomer-SQ advantages**

- Compact size
- Cost-effective yet high-quality
- Both 20x and 40x magnification
- Z-stacking scanning of cytology and thick histology slides
- Ideal for telepathology and research

## Specifications

Product name		NanoZoomer-SQ
Scanning Speed (15x15 mm)	20x mode	Approx. 150 s
	40x mode	Approx. 275 s
Objective lens		20x (NA0.75)
Slide Capacity	26 mm x 76 mm	1 slide
Scanning resolution / pixel	20x mode	0,46 µm/pixel
	40x mode	0,23 µm/pixel
Focusing method		Pre-focus map
Power supply voltage		AC 100V to AC 240 V
Power consumption		Approx. 72 VA



## Handle Slides

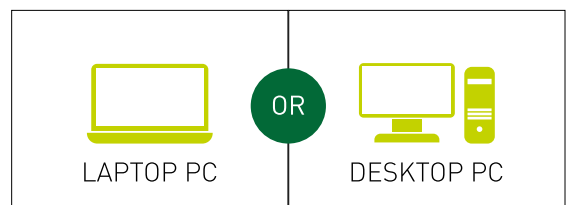
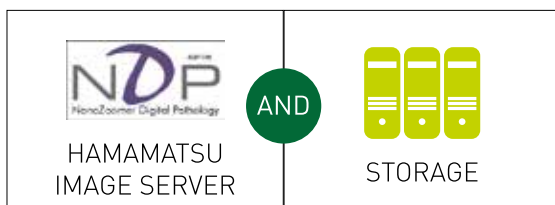
A fully digital workflow enables a seamless integration throughout patient data collection, quantitative image analysis, patient case data analysis and reporting.

### Multilevel scanning of whole slides

Whole slides can be scanned at different focus levels to re-create the Z focus facility of a microscope. The number of levels and the distance between levels can be set by the operator.

### Barcode reader

1D Barcode support (included)  
 CODE-39, CODE-128, CODE-2-of-5 Interleaved, Coda bar, EAN-8, EAN-13, Patch Codes, UPC-A and UPC-E  
 2D Barcode support (optional)  
 Datamatrix, QRcode, MicroQR



System configuration

**HAMAMATSU**  
 PHOTON IS OUR BUSINESS

**VISIOPHARM®**

**Disclaimer:** The range of Hamamatsu NanoZoomer scanners are distributed in selected countries in Europe, please contact our sales department on [sales@visiopharm.com](mailto:sales@visiopharm.com) to learn more. All scanners are CE IVD marked for diagnostic use in Europe. In the US, NanoZoomer is for research use only and is not permitted to use for clinical diagnostic purpose.

Visiopharm A/S  
 Agern Allé 24  
 DK-2970 Hørsholm  
 Phone: +45 8820 2088  
[www.visiopharm.com](http://www.visiopharm.com)  
 Email: [contact@visiopharm.com](mailto:contact@visiopharm.com)