



Precision
pathology

High
throughput
pathology

NanoZoomer S210

Oncotopix® Scan covers the full range of whole slide scanners from Hamamatsu, the technology leaders in digital pathology with their proven, fast, and highly reliable scanning solutions.

The Oncotopix® Scan family consists of whole slide scanners that meet the needs of any laboratory, from small to large. The scanner enables fast scanning of high resolution digital images of entire slides for reading, annotation, storage, retrieval, analysis and image sharing via a network to aid consultation and record keeping.

NanoZoomer S210

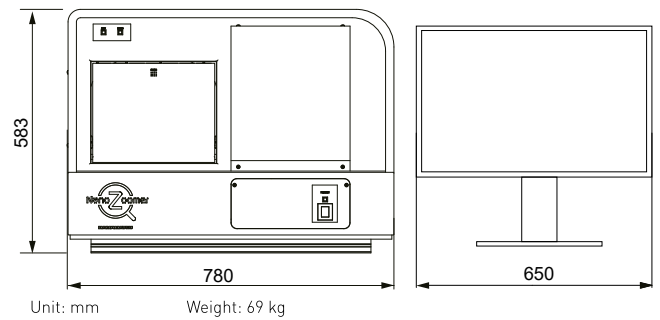
The NanoZoomer S210 is a fast whole slide scanner with a capacity of 210 slides this is the perfect choice for the medium size laboratories.

NanoZoomer S210 advantages

- Fast whole slide scanner
- Capacity of 210 slides
- Both 20x and 40x magnification
- Z-stacking scanning of cytology and thick histology slides
- Ideal for clinical use with medium throughput

Specifications

Product name		NanoZoomer S210
Scanning Speed (15x15 mm)	20x mode	Approx. 60 s
	40x mode	Approx. 150 s
Objective lens		20x (NA0.75)
Slide capacity	26 mm x 76 mm	210 slides
Scanning resolution / pixel	20x mode	0,46 µm/pixel
	40x mode	0,23 µm/pixel
Focusing method		Pre-focus map
Power supply voltage		AC 100V to AC 240 V
Power consumption		Approx. 160 VA



Handle Slides

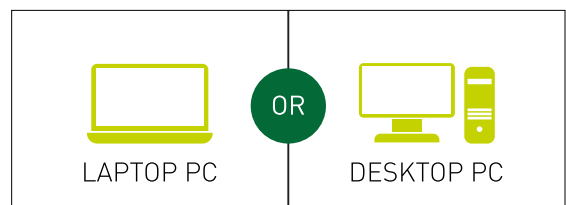
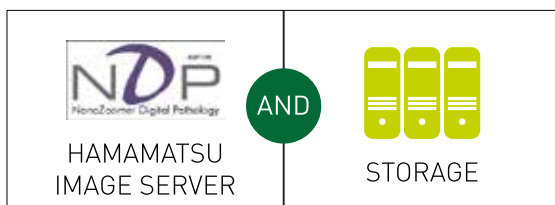
A fully digital workflow enables a seamless integration throughout patient data collection, quantitative image analysis, patient case data analysis and reporting.

Multilevel scanning of whole slides

Whole slides can be scanned at different focus levels to re-create the Z focus facility of a microscope. The number of levels and the distance between levels can be set by the operator.

Barcode reader

1D Barcode support (included)
 CODE-39, CODE-128, CODE-2-of-5 Interleaved, Coda bar, EAN-8, EAN-13, Patch Codes, UPC-A and UPC-E
 2D Barcode support (optional)
 Datamatrix, QRcode, MicroQR



System configuration

HAMAMATSU
 PHOTON IS OUR BUSINESS

VISIOPHARM®

Disclaimer: The range of Hamamatsu NanoZoomer scanners are distributed in selected countries in Europe, please contact our sales department on sales@visiopharm.com to learn more. All scanners are CE IVD marked for diagnostic use in Europe. In the US, NanoZoomer is for research use only and is not permitted to use for clinical diagnostic purpose.

Visiopharm A/S
 Agern Allé 24
 DK-2970 Hørsholm
 Phone: +45 8820 2088
www.visiopharm.com
 Email: contact@visiopharm.com